

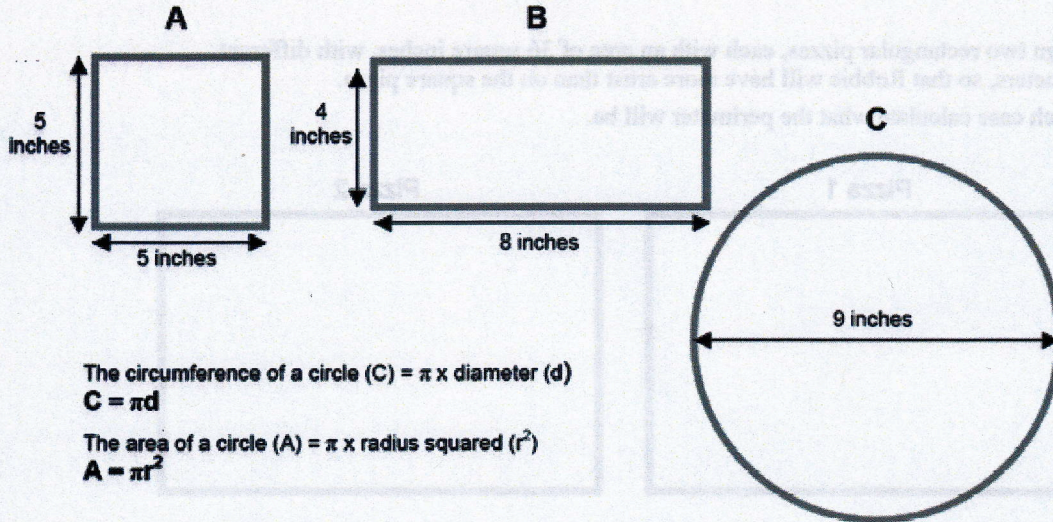
Pizza Crusts

This problem gives you the chance to:

- find areas and perimeters of rectangular and circular shapes in a practical context

Robbie loves the stuffed crusts on pizzas.

Here are some stuffed crust pizza shapes that are baked.



1. How many inches of stuffed crust are put around the edge of each of these pizzas?

A _____ inches

B _____ inches

C _____ inches

Show your calculations.